

ORNAMENTAL IRON SPECIALTIES LLC

15201 East 333rd Street Archie, Missouri 64725
PH: (816) 456-0256

VANDAL-PROOF AIR CONDITIONER ENCLOSURE

Concerned about the possibility that your outside AC unit might be the next one on your block to be stolen?

The Vandal-proof AC enclosure is a new product designed to protect that prize possession that keeps you cool in the summer. The cost of this enclosure will by far save from the unexpected costs of a new AC unit. The cost of the enclosure is probably less than your home owners insurance deductible that you would have to pay to replace the stolen AC unit.

The Vandal-proof AC enclosure is built of an all welded steel construction for strong and dependable protection and also is designed to be attractive. Refer to page 2 for a look at this great product that will help keep burglars out yet keep you cool at night with no worries.

Feel free to call for a free in home sales call and to measure your existing AC unit to guarantee the correct size of enclosure to fit your needs.

Specifications:

- ** 1. All welded steel construction with an industrial painted finish.
Standard colors include satin black, bronzetone, dark bronzetone, and white.
(Other colors available to match home color scheme)
2. The enclosures are available in different sizes to accomodate your specific needs.
The enclosures are oversized to enclose the support pad to avoid removal of any part of the AC unit.
3. The purchase of your new vandal-proof enclosure includes installation by a qualified installer which ensures that you are receiving the best service for your investment.
4. Each package includes a heavy duty padlock.
5. The enclosure is cast in concrete at all posts for a sturdy installation.

Operation:

1. Refer to page 2 for Figures mentioned below.
2. The Vandal-proof AC enclosure is designed for both security and maintenance accessibility. As you can see in Figure 1, the top hinged door must be shut first. On the open end of the enclosure, the top door has two receiving plates to accept the hinged front door. Once the top door has been lowered, the front door is shut (Refer to Figure 2). Then the heavy duty padlock is inserted into the lock hasp which secures the entire enclosure. Refer to Figure 3 for final assembly.
This locking idea makes it easy for a Service Technician to access the AC unit by simply unlocking one lock, opening the front door, then if needed, lifting the top door for total accessibility.

ORNAMENTAL IRON SPECIALTIES LLC

15201 East 333rd Street Archie, Missouri 64725
PH: (816) 456-0256

VANDAL-PROOF AIR CONDITIONER ENCLOSURE

Illustrations

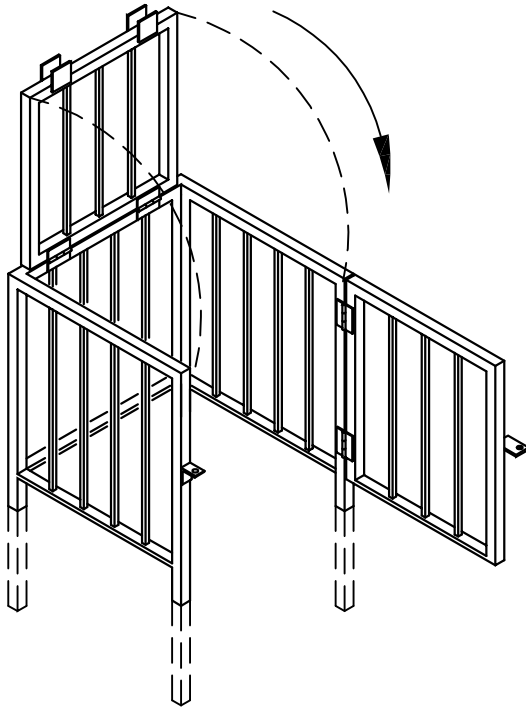


FIGURE 1

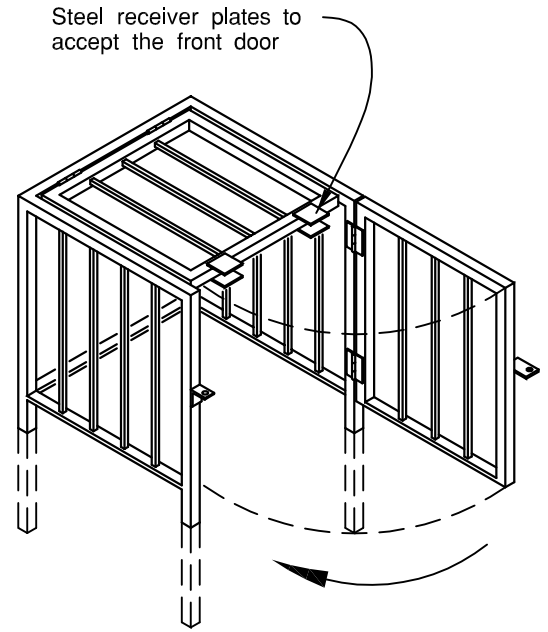


FIGURE 2

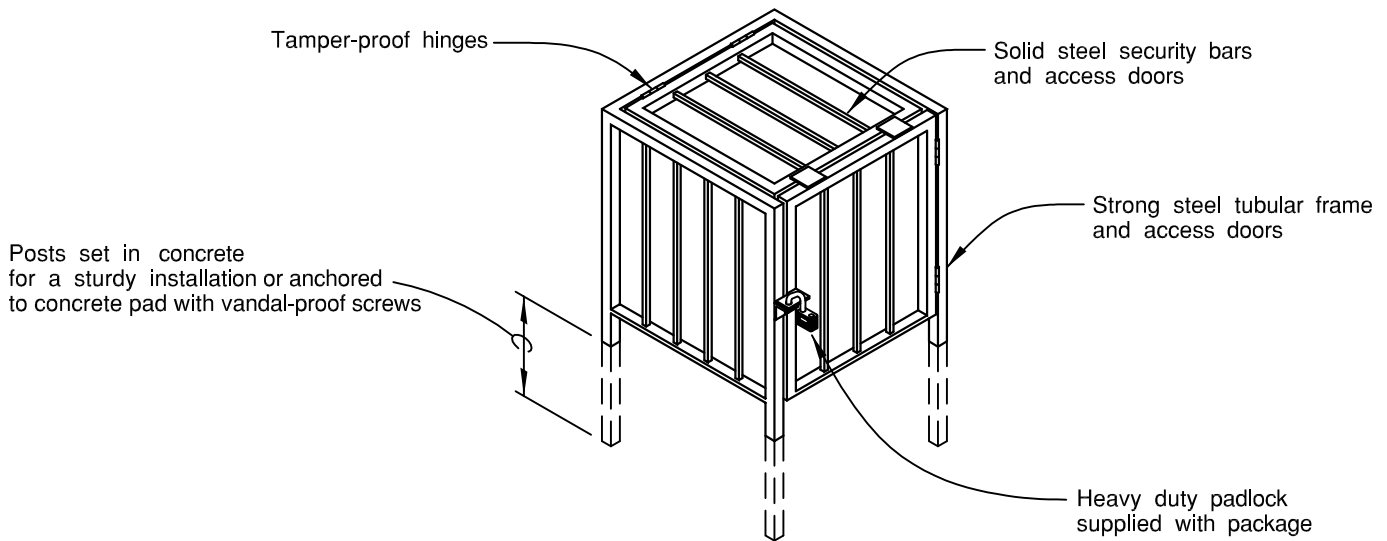


FIGURE 3

The Vandal-proof AC unit is oversized to completely enclose the AC unit and support pad.